

# Alegra

## Freestanding Bath with Integrated Overflow

Product Code: AG1700BIO

# DECINA

DISCOVER INDULGENCE

The Alegra's beautiful curved edges & back-to-wall design allows it to be integrated into the wall. One of Decina's top sellers, this design also features the latest in overflow technology with the integrated overflow built seamlessly into the shell.

- Australian Standard 1172.5:2019
- Integrated Overflow
- Adjustable self-supporting feet
- Lumbar support
- Suitable for dual bathing
- Internal steel support frame



### PRODUCT SPECIFICATIONS

Colour:	Gloss Black / Gloss White
Material:	Premium sanitary grade acrylic
Length:	1700mm
Width:	800mm
Height:	595mm
Capacity:	175L (200mm below the bath rim)
Bath Type:	Back-to-wall freestanding (Closed Back)
Waste Position:	Centre
Net Weight:	55kg
Warranty:	10 years* (refer to decina.com.au)

### OPTIONAL ACCESSORIES

For straight through waste connections

40mm Removable Pop-Down Waste  
W/O Chrome OWA018

40mm Removable Pop-Down Waste  
W/O Chrome OWA020

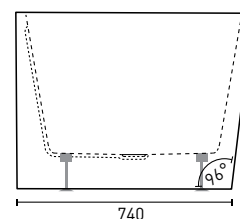
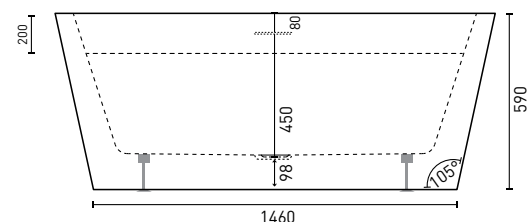
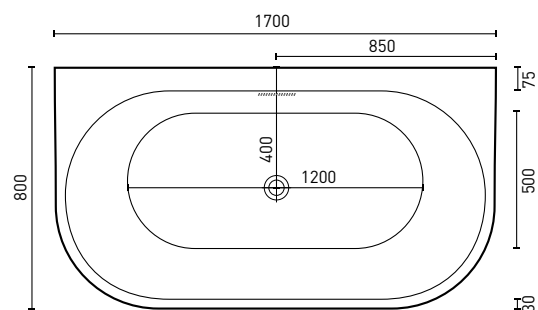
For use when a waste connector is required

Pop-down waste & flexi connector Chrome OWA010

Pop-down waste & flexi connector White OWA021

Screw pack for bath pop down OWA015  
(necessary for baths with overflow wall thickness greater than 12mm)

Sia Headrest Black Curved SY242-B



For full warranty  
conditions please  
scan QR Code

[DECINA.COM.AU](https://www.decina.com.au) 1300 DECINA   

\*Warranty T&Cs apply, visit [decina.com.au](https://www.decina.com.au) Decina reserves the right to change specifications without notice. Due to manufacturing tolerances dimensions may vary +/- 5mm and preparation should only occur after product arrives on site to confirm measurements. Please confirm all particulars prior to purchase, call 1300 DECINA or visit [decina.com.au](https://www.decina.com.au) Updated 13/02/2026