

# Elisi

## Freestanding Bath

Product Code: EI1700WIO

**DECINA**  
DISCOVER INDULGENCE

The Elisi freestanding bath is the ultimate in luxury bathing. One of our best sellers now featuring a sleek integrated overflow built seamlessly into the shell.

Simple to install with adjustable self supporting feet, no additional hob or framing is required. A generous depth, a centre waste and reclining areas make this design perfect for dual bathing.

- Australian Standard 1172.5:2019
- Integrated Overflow
- Adjustable self-supporting feet
- Suitable for dual bathing
- Lumbar support



SPA OPTION



### PRODUCT SPECIFICATIONS

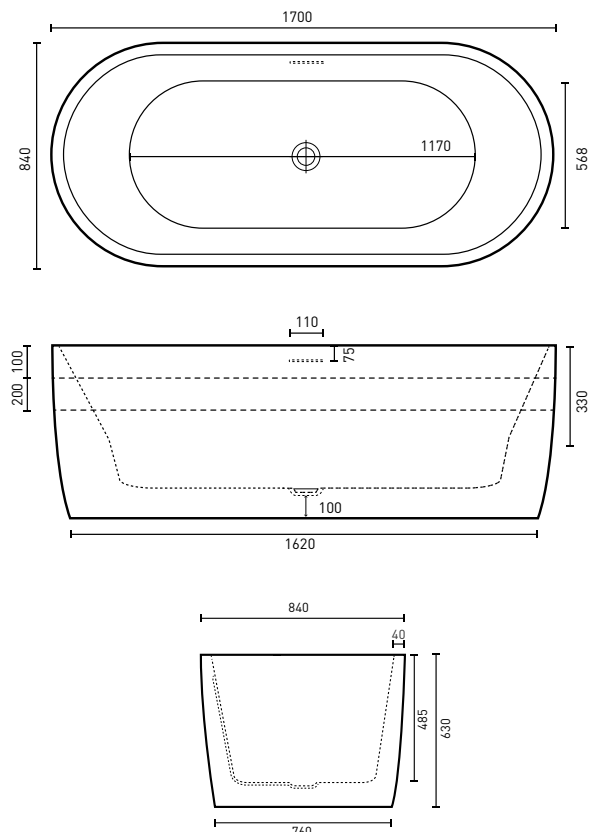
Colour:	High gloss white
Material:	Premium sanitary grade acrylic
Length:	1700mm
Width:	840mm
Height:	630mm
Capacity:	170L [200mm below the bath rim]
Bath Type:	Freestanding bath
Waste Position:	Centre
Net Weight:	50kg
Warranty:	10 years* (refer to decina.com.au)

### OPTIONAL ACCESSORIES

- 40mm Removable Pop-Down Waste W/O Chrome **OWA018**
- Sia Headrest Black Curved **SY242-B**



For full warranty conditions please scan QR Code



[DECINA.COM.AU](http://DECINA.COM.AU) 1300 DECINA   

\*Warranty T&Cs apply, visit [decina.com.au](http://decina.com.au) Decina reserves the right to change specifications without notice. Due to manufacturing tolerances dimensions may vary +/- 5mm and preparation should only occur after product arrives on site to confirm measurements. Please confirm all particulars prior to purchase, call 1300 DECINA or visit [decina.com.au](http://decina.com.au) Updated 29/10/2025