

# Shenseki

## Inset Bath with Tile Bead

Product Code: SHEN1400W / SHEN1510W



# DECINA

DISCOVER INDULGENCE

The Shenseki Inset bath maximises space and internal depth to give you a comfortable, full-body soak. Its compact footprint makes it perfect for smaller bathrooms, apartments, or ensuites where every centimetre counts. Despite its smaller size, it delivers a luxurious bathing experience and a bold visual impact.

- AS/NZ Standard 1172.5:2019
- Steel rod reinforced rim
- Double reinforced bath base
- Self supporting feet

SPA BATH OPTION   OVERFLOW OPTION

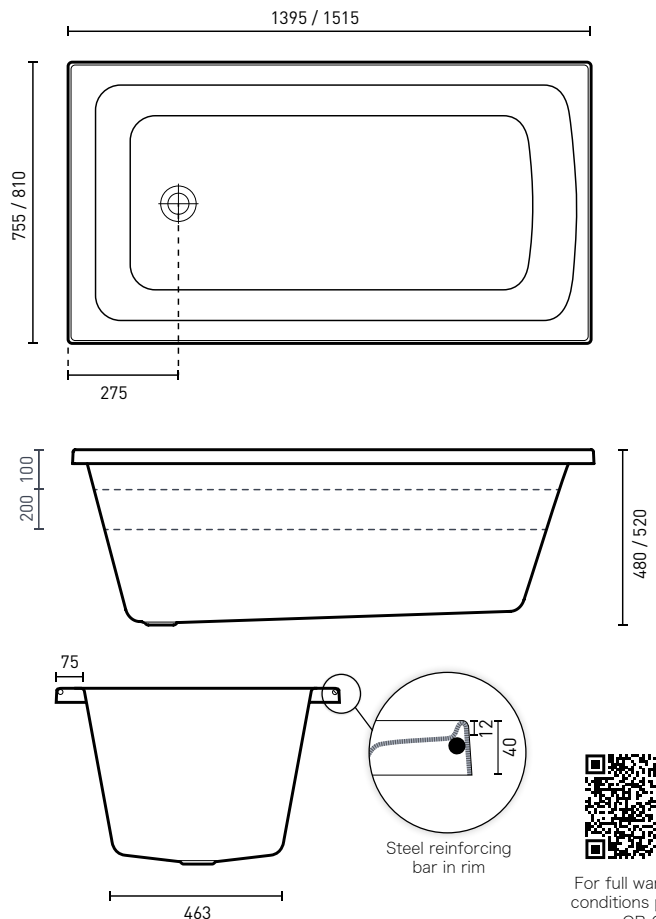


### PRODUCT SPECIFICATIONS

Colour: High Gloss White  
 Material: Premium sanitary grade acrylic  
 Length: 1395mm / 1515mm  
 Width: 755mm / 810mm  
 Height: 480mm / 520mm  
 Capacity: 137L / 192L [200mm below the bath rim]  
 Bath Type: Inset  
 Waste Position: End  
 Net Weight: 20.5 / 21kg  
 Warranty: 15 years

### OPTIONAL ACCESSORIES

- 40mm Removable pop-up waste Chrome **WA001**, White Gloss **WA002**, Black Matte **WA003**
- Pop-up waste & overflow kit Chrome **OWA001**
- Pop-down waste & overflow kit Chrome **OWA002**
- Pop-down waste & overflow kit Black **OWA003**
- Fiore Black Headrest **SY242-A-B**
- EZI Frame / Base Support Frame Various



For full warranty conditions please scan QR Code

[DECINA.COM.AU](http://DECINA.COM.AU) 1300 DECINA

\*Warranty T&Cs apply, visit [decina.com.au](http://decina.com.au) Decina reserves the right to change specifications without notice. Due to manufacturing tolerances dimensions may vary +/- 5mm and preparation should only occur after product arrives on site to confirm measurements. Please confirm all particulars prior to purchase, call 1300 DECINA or visit [decina.com.au](http://decina.com.au) Updated 08/2025