

# Solis

## Freestanding Bath

Product Code: SL1700W

DECINA  
DISCOVER INDULGENCE

The Solis freestanding bath is designed with a raised base to give a 'shadow' effect from underneath the bath. Designed with beautiful curved edges & a thin bath rim perfect for a luxury, designer style bathroom

- Australian Standard 1172.5:2019
- Adjustable self-supporting feet
- Suitable for dual bathing
- Full steel support frame
- Lumbar support

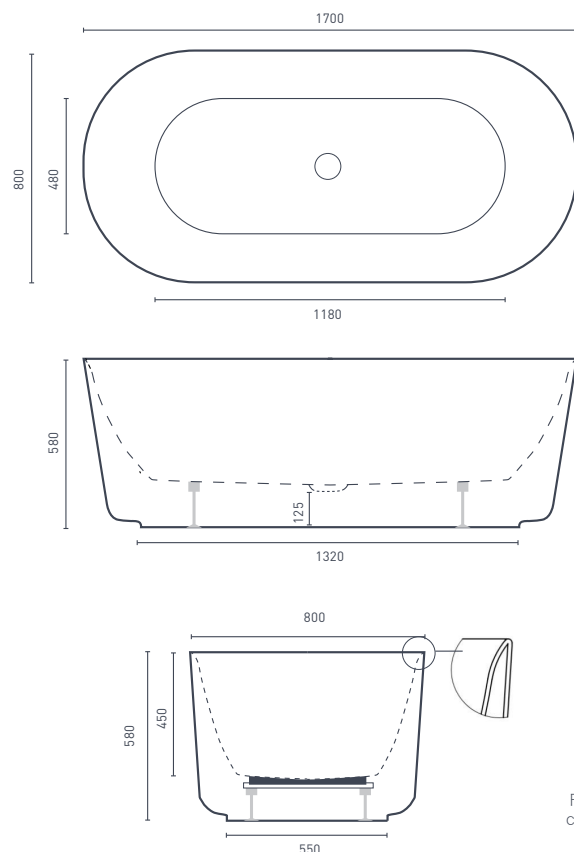


### OPTIONAL ACCESSORIES

- 40mm Removable Pop-up Waste Chrome WA001  
White Gloss WA002, Black Matte WA003
- Flexible Bath Connector with Pop-up  
Waste Chrome OWA004
- Flexible Bath Connector Cap & Lining only OWA005
- Sia Headrest Black Curved SY242-B

### PRODUCT SPECIFICATIONS

Colour:	High gloss White
Material:	Premium sanitary grade acrylic
Length:	1700mm
Width:	800mm
Height:	580mm
Capacity:	135L [200mm below the bath rim]
Bath Type:	Freestanding
Waste Position:	Centre
Net Weight:	43kg
Warranty:	10 years* (refer to decina.com.au)



For full warranty conditions please scan QR Code

DECINA.COM.AU 1300 DECINA   

\*Warranty T&Cs apply, visit [decina.com.au](https://decina.com.au) Decina reserves the right to change specifications without notice. Due to manufacturing tolerances dimensions may vary +/- 5mm and preparation should only occur after product arrives on site to confirm measurements. Please confirm all particulars prior to purchase, call 1300 DECINA or visit [decina.com.au](https://decina.com.au) Updated 30/06/2025