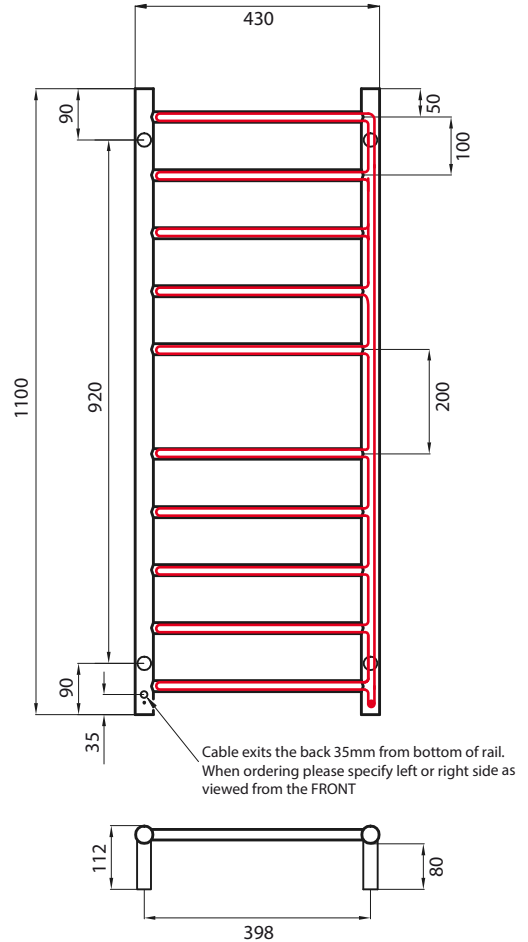






ROUND HEATED

RTR430 – 12V model

LOW VOLTAGE 12 VOLT MODEL
 MIRROR POLISHED AND BRUSHED SATIN
 MANUFACTURED FROM 304 GRADE
 STAINLESS STEEL
 COLOURED FINISHES MANUFACTURED
 FROM 201 GRADE STAINLESS STEEL
 ALL TOWEL RAILS AVAILABLE WITH EITHER
 BOTTOM LEFT OR RIGHT OUTPUT
 CAN BE MOUNTED UPSIDE DOWN
 10 YEAR WARRANTY FOR CONSTRUCTION /
 HEATING ELEMENT
 COATING ON COLOURED RAILS ARE
 COVERED BY A 2 YEAR WARRANTY



FEATURES	CODE	SIZE (MM)	FINISH
• Round bar / Height 1100mm / 10 bars with a central gap / 80W	12V-RTR430LEFT	430x1100	Polished 
• Low voltage 12V / IP55 rated	12V-RTR430RIGHT	430x1100	Polished 
• Vertical bars 32mm diameter	12V-BRU-RTR430LEFT	430x1100	Brushed Satin 
• Horizontal bars 19mm diameter	12V-BRU-RTR430RIGHT	430x1100	Brushed Satin 
• 112mm from wall			
• Cable length: 3m, NO plug, low voltage transformer included			

12v ladders are manufactured using individual elements so one of the vertical bars is not heated, however this does not affect the rails ability to warm/dry a towel as all horizontal bars are fully heated.